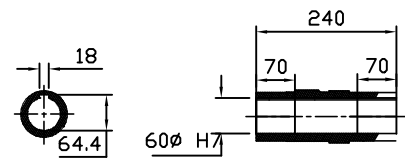
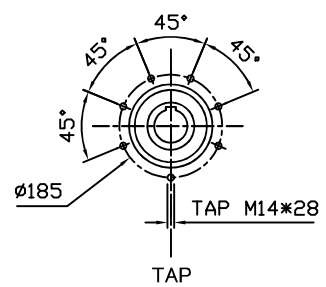
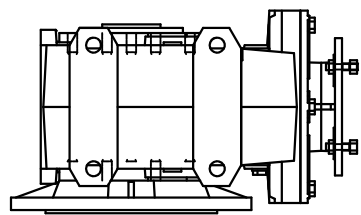
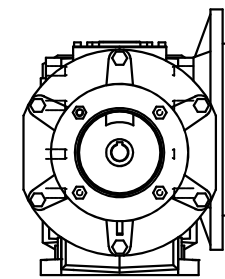
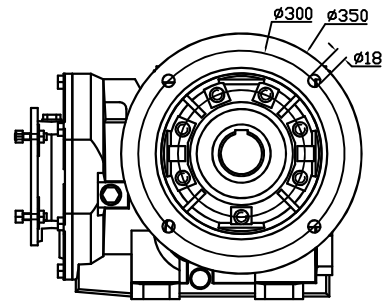
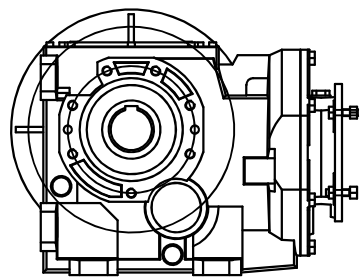
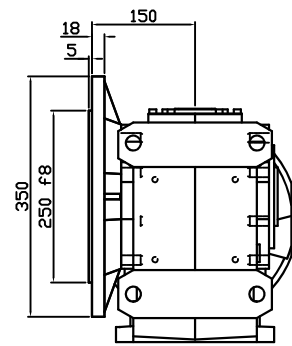
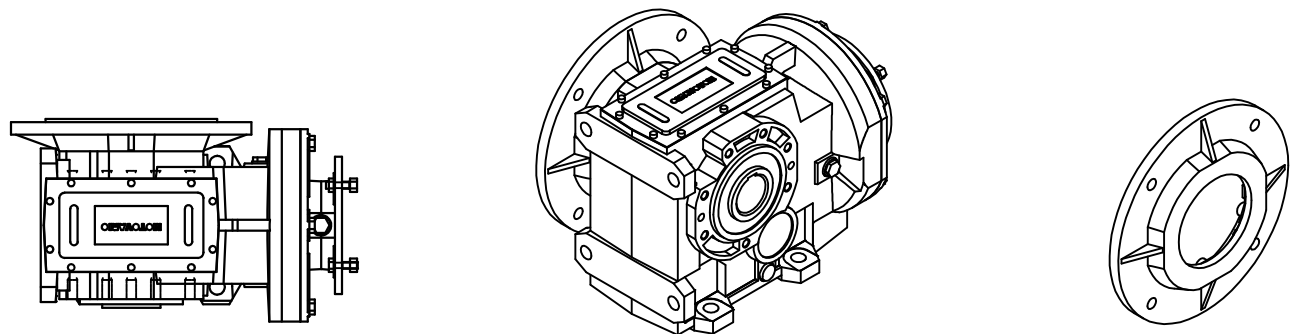



REDUCER SPEC	
MODEL	B123 FB
SERVICE FACTOR	
RATIO	
OUTPUT [rpm]	
OUTPUT TORQUE [Nm]	
WEIGHT [kg]	81.7+12 = 93.7



OUTPUT HOLLOW SHAFT

 (주)한국체인모터 Tel. 032-815-8888 Fax. 815-8020 www.hcmf.co.kr	PROJECT		MOTOVARIO				
	DRAWN	SEO Y.S	DATE	REV	A	SCALE	1:1
	CHECKED	KIM J.S	DATE	UNIT	MM	PAGE	-
	APPROVED	LEE J.Y	DATE	